



GE INDUSTRIAL MOTORS  
a WOLONG company

# Quantum 580

Performance, Efficiency, Reliability. Upgrade your assets with GE's Newest Motor

## Key Features

- WP-I or WP-II enclosures
- Premium Efficiency and Inverter Ready
- Copper bar rotor (aluminum available)
- C5 core plate laminations for low losses
- Class F insulation system with Class B rise (90C by RTD)
- Custom PolySeal insulation system
- Dual labyrinth shaft seals
- Drilled for dowel pins and jack screws
- Low noise
- Altitude operation through 1000 meters (3300 feet) is standard with capability for higher altitudes

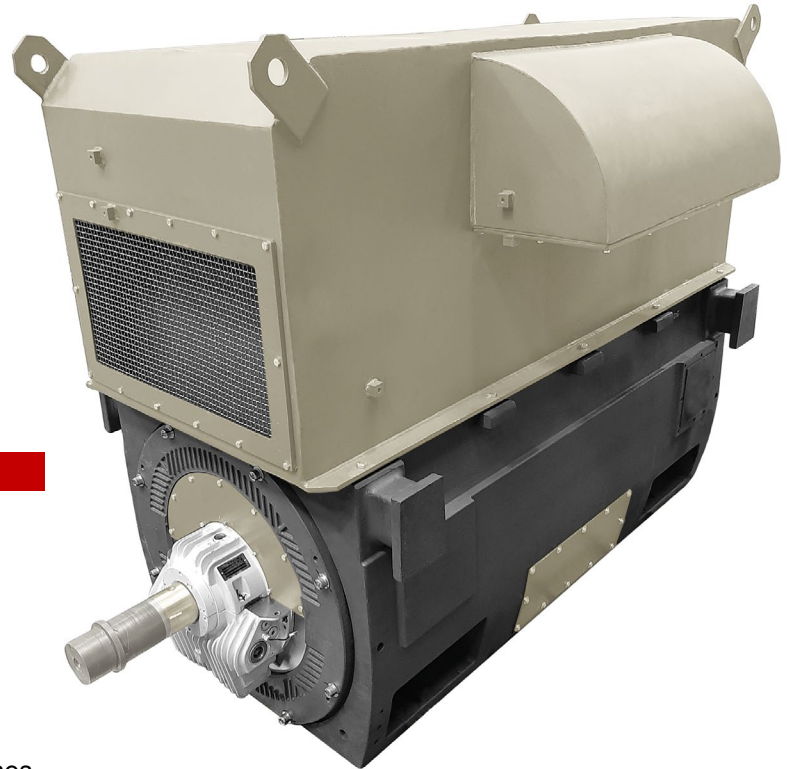
## Key Benefits

- Premium efficiency for low cost operation
- Inverter Ready for maximum energy savings and application flexibility
- CU bar rotor, C5 core plate and Custom Polyseal for efficiency, reliability and repairability
- Mounting flexibility with dual frame mounting holes
- Corrosion-resistant hardware throughout
- Above 3000 volts, terminal box is sized for stress cones
- Low profile WP-II heat exchanger for easy retrofits
- Minimum torque Levels: Locked Rotor 60%, Pull up 60%, Breakdown 175%

## Key Services

**Quality Assurance Program, the in-place quality assurance program includes:**

- ISO 9001 Certificate of Compliance
- Six Sigma manufacturing and Lean manufacturing principles
- Program management control
- Pre-production quality evaluation
- Product, process and system quality planning
- Process evaluation and control
- Purchased material quality planning and control component testing at various stages of manufacture



## Excellence is Built In

We are committed to becoming your supplier of choice with superior service along with the quality, reliability, and efficiency you expect from GE motors.

Customer Service: +1 (888) 525-2915  
[www.gemotorswolong.com](http://www.gemotorswolong.com)

# Rating Matrix – Fabricated Rotor Bar

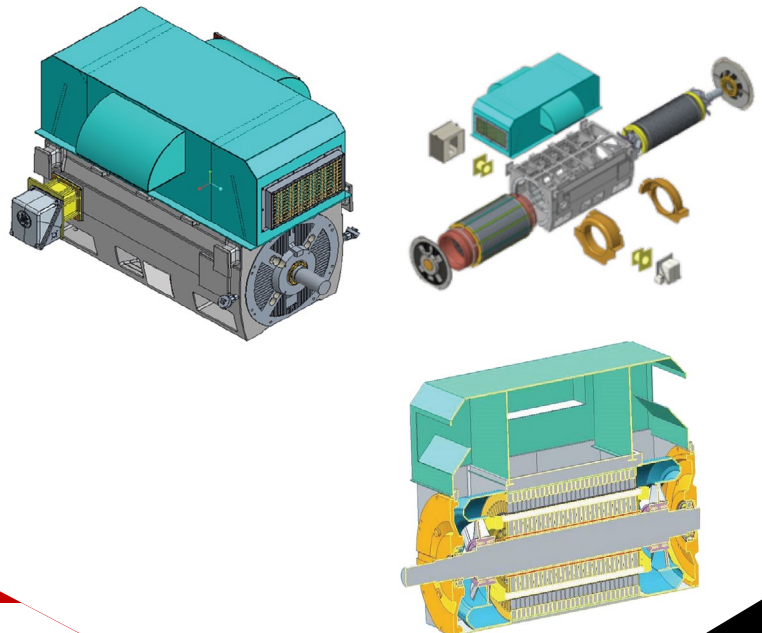
460 V, 60 Hz, 650% LRA, 60% LRT & 175% BDT, Copper Bar Rotor, 1.0 S.F, B Rise							
Pole/HP	450	500	600	700	800	900	1000
2P					5811	5811	5811
4P					5810	5810	5810
6P		5810	5810	5810	5810	5812	5812
8P	5810	5810	5810	5810	5812	5812	5812

4160 V or 2300 V, 60 Hz, 650% LRA, 60% LRT & 175% BDT, Copper Bar Rotor, 1.0 S.F, B Rise										
Pole/HP	700	800	900	1000	1250	1500	1750	2000	2250	2500
2P				5811	5811	5811	5813	5813	5813	5813*
4P					5810	5810	5812	5812	5812*	
6P			5810	5810	5812	58132	5812*			
8P	5810	5810	5812	5812	5812*					

\* Rating with F Rise

6600 V, 60 Hz, 650% LRA, 60% LRT & 175% BDT, Copper Bar Rotor, 1.0 S.F, B Rise										
Pole/HP	500	600	700	800	900	1000	1250	1500	1750	2000
2P				5811	5811	5811	5811	5813	5813	5813
4P				5810	5810	5810	5812	5812	5812	
6P	5810	5810	5810	5812	5812	5812				
8P	5810	5810	5810	5812	5812					

Note: 460 V offered max up to 1000 HP  
 2P ratings are always offered either in 5011 or 5013  
 4P+ can offered in different frame sizes per casting  
 [5810/5811(Short fr ) & 5812/5813 (Long fr)]



## Quantum 580 by Wolong

