

WOLONG



Oil Well Pump Motors

NEMA D
3 Phase, 60 Hz
460V
3 - 150 HP



NEMA D Motors

High Slip, High Torque Design



Wolong oil well pump motors are designed with high slip (5-8%) and high torque (NEMA D) to meet the requirements of oil beam pumping units. With minimal maintenance and stock availability, these motors have become an obvious choice for operators.

- Rugged cast iron frame
- Opposite drive end bearing locked for high axial thrust capacity
- F2 conduit box position, convertible to F1
- Regreasable bearings

Wolong motors are engineered, tested, and proven to meet all applicable NEMA and CSA requirements and standards for oil pump applications.



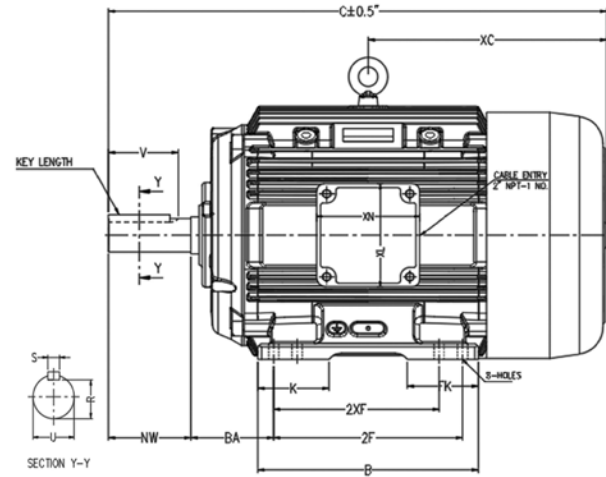
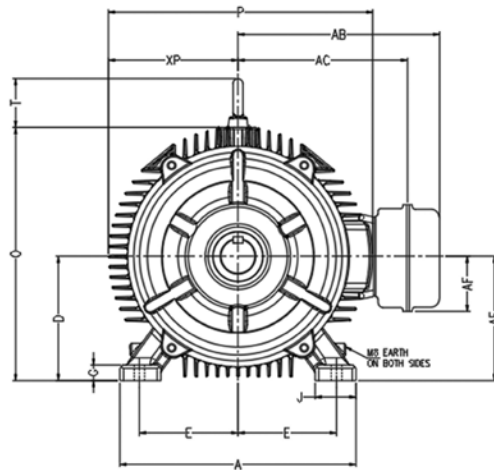
Features

| | |
|------------|---------------------|
| Type | AC Induction |
| Phase | 3 |
| Frequency | 60 Hz |
| Voltage | 460 V |
| Power | 3 to 150 HP |
| Speed | 1200 RPM |
| Enclosure | TEFC, IP55 |
| Efficiency | Standard Efficiency |
| Insulation | Class F |

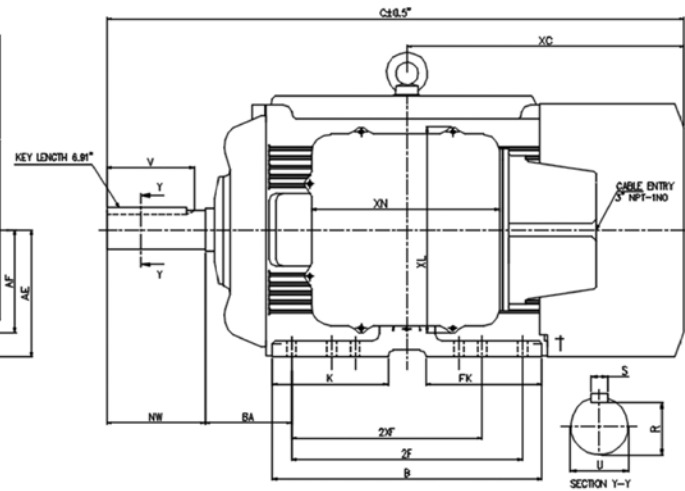
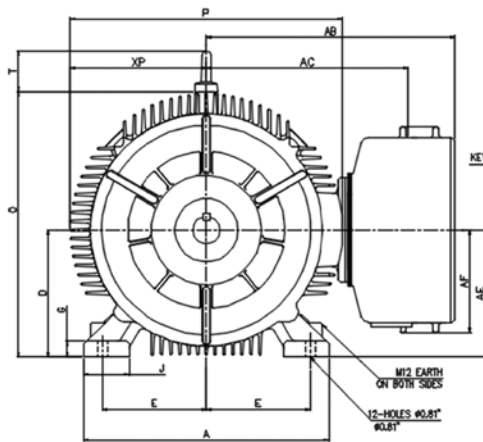
| | |
|-------------|--|
| Ambient | 40°C |
| S.F. Factor | 1.15 (continuous) |
| Temp Rise | Class-B @ 1.0 service factor |
| VFD | Inverter Duty - 2:1 speed range in constant torque operation |
| Brg Type | Anti-friction ball, Drive end roller at 50 HP and above |
| Shaft | AISI 1045 steel |
| Haz. Area | Safe Area |
| Hardware | Corrosion-resistant |
| Warranty | 12 Months |

▼ Ratings and Dimensions

213 - 404
Frames



444 - 447
Frames



| HP | Speed (RPM) | Enclosure | Frame | Bearings | Cat # | Model # | U Dia. (in) | 2F (in) | 2E (in) | D (in) | BA+NW (in) |
|-----|-------------|-----------|--------|----------|-------|--------------|-------------|---------|---------|--------|------------|
| 3 | 1200 | TEFC | ND213T | Ball | S2000 | 5KR213SCG308 | 1.37 | 5.50 | 8.00 | 5.00 | 7.00 |
| 5 | 1200 | TEFC | ND215T | Ball | S2001 | 5KR215SCG308 | 1.37 | 6.70 | 8.00 | 5.00 | 7.00 |
| 7.5 | 1200 | TEFC | ND254T | Ball | S2002 | 5KR254SCG308 | 1.62 | 8.20 | 10.00 | 6.00 | 8.30 |
| 10 | 1200 | TEFC | ND256T | Ball | S2003 | 5KR256SCG308 | 1.60 | 10.00 | 10.00 | 6.00 | 8.30 |
| 15 | 1200 | TEFC | ND284T | Ball | S2004 | 5KR284SCG308 | 1.90 | 9.50 | 11.00 | 7.00 | 9.35 |
| 20 | 1200 | TEFC | ND286T | Ball | S2005 | 5KR286SCG308 | 1.90 | 11.00 | 11.00 | 7.00 | 9.50 |
| 25 | 1200 | TEFC | ND324T | Ball | S2006 | 5KR324SCG308 | 2.10 | 12.00 | 12.00 | 8.00 | 11.00 |
| 30 | 1200 | TEFC | ND326T | Ball | S2007 | 5KR326SCG308 | 2.10 | 12.00 | 12.00 | 8.00 | 11.00 |
| 40 | 1200 | TEFC | ND364T | Ball | S2008 | 5KR364SCG308 | 2.40 | 12.00 | 14.00 | 10.00 | 11.90 |
| 50 | 1200 | TEFC | ND404T | Roller | S2009 | 5KR404SCG308 | 2.90 | 14.00 | 16.00 | 10.00 | 14.30 |
| 60 | 1200 | TEFC | ND404T | Roller | S2010 | 5KR404SCG309 | 2.90 | 14.00 | 16.00 | 10.00 | 14.30 |
| 75 | 1200 | TEFC | ND444T | Roller | S2011 | 5KR444SCG309 | 3.37 | 20.00 | 18.00 | 11.00 | 16.35 |
| 100 | 1200 | TEFC | ND444T | Roller | S2012 | 5KR444SCG310 | 3.37 | 20.00 | 18.00 | 11.00 | 16.35 |
| 125 | 1200 | TEFC | ND445T | Roller | S2013 | 5KR445SCG308 | 3.37 | 20.00 | 18.00 | 11.00 | 16.35 |
| 150 | 1200 | TEFC | ND447T | Roller | S2014 | 5KR447SCG308 | 3.37 | 20.00 | 18.00 | 11.00 | 16.35 |

WOLONG

www.gemotorswolong.com

GE is a trademark of General Electric Company. Manufactured under trademark license.
©2023, Wolong Electric America LLC. All rights reserved
GEA33478-EN (2/2023)